



News from the
BUTCHER
BLOCK

JUNE 2023



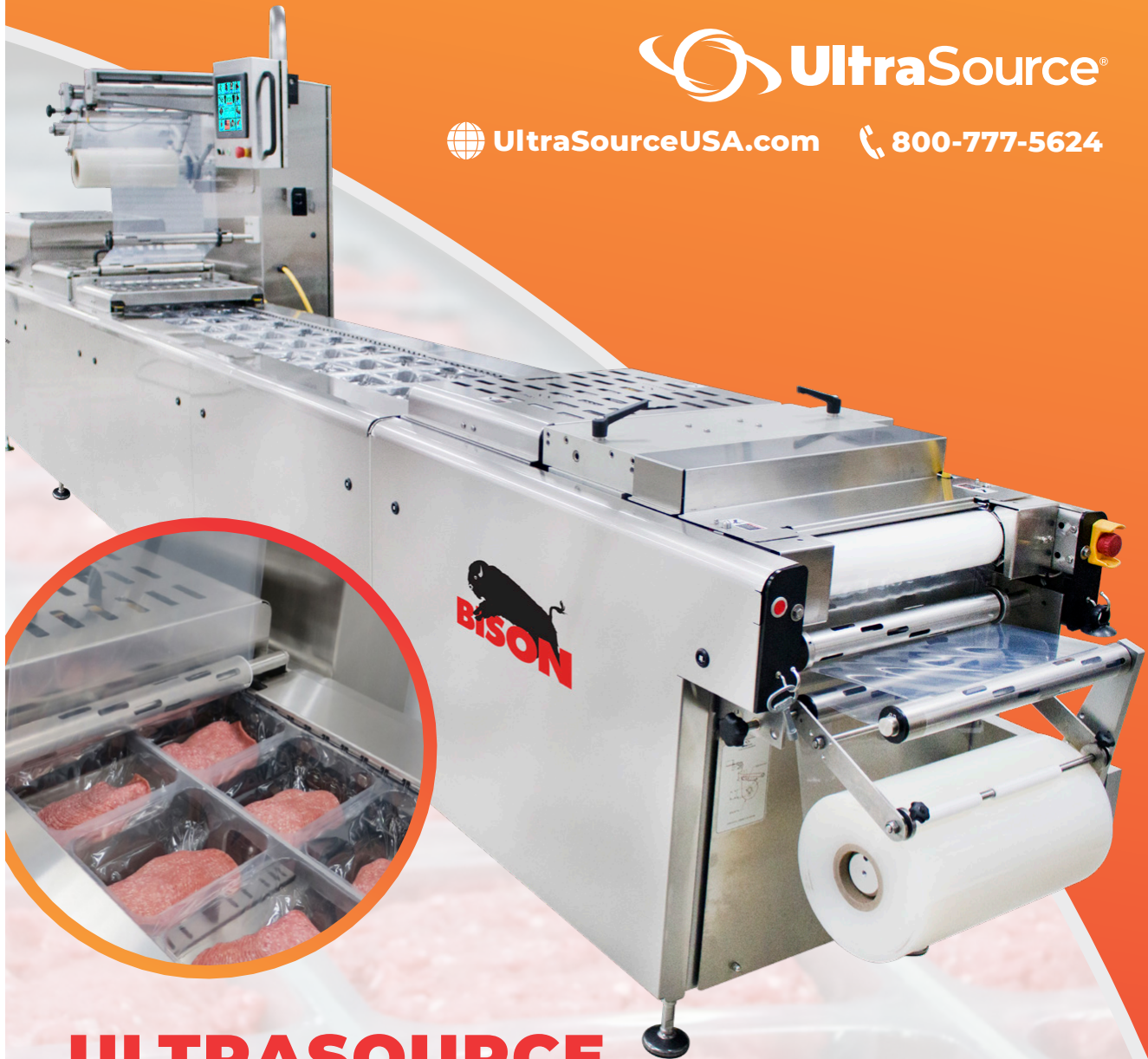


THANK YOU
FOR A GREAT
CONVENTION!



UltraSource®

 UltraSourceUSA.com  800-777-5624



ULTRASOURCE ROLLSTOCK PACKAGING MACHINES

**WHETHER, SMALL, MEDIUM, OR VERY LARGE
PRODUCTION CAPACITIES, ULTRASOURCE HAS
A HORIZONTAL FORM, FILL, AND SEAL MACHINE
THAT CAN HELP YOUR BUSINESS**



Protecting your Brand - From Field to Table
Call or email to schedule a no obligation survey today
Ph: 417-279-2881 or 903-559-9532
Email: office@qvortexchemicals.com



Call Today and Ask about Our New Line of
Omet Vacuum Stuffers

available at

W WALTON'S
•Everything but the Meat•

waltons.com | 800-835-2832

2023

CONVENTION memories



PLENTY TO SEE THIS YEAR!



YUM, YUM, YUM!



FULL HOUSE!



INNOVATIVE CHAMPS!



INTERNATIONAL INTERN!



SPEAKING SAFETY!



CHECK THAT OUT!



YOU HEARD IT HERE!



SERVING THE HARDWORKING MEAT PROCESSORS *of Montana and beyond*

- connect with others like you
- stay up-to-date with industry standards
- receive continuing education
- start feeling supported

BECOME A MEMBER TODAY!

MANCA USA

CLIPPERS & STAPLERS

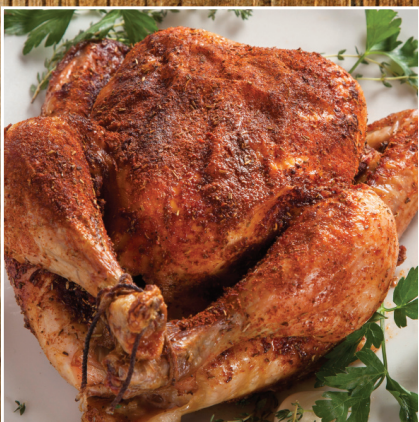


LORENZO BARROSO

From heavy duty manual clippers to fully automatic vacuum-stuffer interfaced models, Lorenzo Barroso and Mainca USA, Inc have teamed up to bring you the finest quality clippers and staplers in the industry!

8064 Chivvis Drive St. Louis, MO 63123 Fax (314) 353-6655 (877) 677-7761 www.maincausa.com

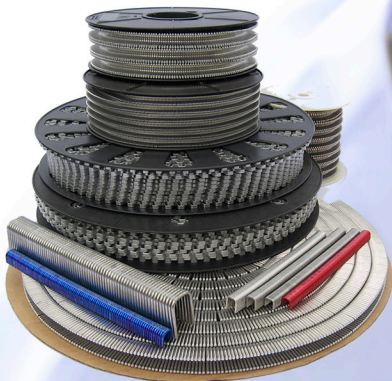
BUILT UPON A FLAVOR



Celebrating 100 Years!

P.O. Box 709 • Calera, Alabama 35040
Phones: (205) 324-3451 • 1-800-4-ACLEGG
www.aclegg.com

Clips and loops for EVERY BRAND of clipping machinery.
Lowest prices in the USA! Lifetime warranties.
www.silver-clip.com



silver-clip

734-354-6551

®

2023

CONVENTION memories



PRE-CONVENTION TOUR



MEMBER CHECK-IN!



WELCOME EVERYONE!



TV INTERVIEW!



THANK TO OUR SPEAKERS!



LOOKS IMPRESSIVE!



LOOK AT THAT MERCH!



2023 GRAND CHAMP!

+ VC999[®]

EVOLUTION LEADS TO REVOLUTION



CE UL SP
LISTED
Certifications Pending



MEET THE NEW R-SERIES!

The R-Series runs Flexible, Rigid,
Skin, Shrink, & Easy Peel Films
ALL ON ONE MACHINE!



- Durable
- Customizable
- Increased Speed



Let VC999 help you create the perfect packaging solution! - www.VC999.com

www.vc999.com • 1-800-728-2999 • Sales@VC999.com

DEAN'S DISTRIBUTING

Your Locally Owned Meat & Seafood Distributor



OUR MONTANA DELIVERY COVERAGE

BITTERROOT VALLEY

DILLON

FLATHEAD

GREAT FALLS

HELENA

LEWISTOWN

RONAN

I-90 SPOKANE TO BILLINGS

BELGRADE * BIG TIMBER

BILLINGS * BOZEMAN * BUTTE

LIVINGSTON * MISSOULA



Proudly Serving Washington, Idaho and Montana Since 2002

Glacier Gourmet Marketing, LLC d/b/a Dean's Distributing * Spokane Valley, WA
Owners: Shelly & Troy Spanu * (509) 893-2849 * www.deansdist.com

2023

CONVENTION memories



MORE PLEASE!



TONS OF LAUGHS!



THE CHEESIER, THE BETTER!



WORTH THE WAIT!



A LOT TO SEE!



KEEPING UP TO DATE!



HAPPY FACES!



THANKS FOR COMING OUT!



BOWL CHOPPERS



CM-75S (150 lb. capacity)

The convenience and speed of an "All-in-One" production dynamo is what makes a Mainca Bowl Chopper the perfect addition to your processing line. Whether you manufacture Hot Dogs, Bologna or Mortadella, or prefer to produce specialty items such as "Pulled" Pork, Coleslaw or Cheese Spread, Mainca has your process covered with the best designed Bowl Chopper line on the Market.



For over twenty years, Mainca USA has been supplying the meat and food processing industries in the United States and Canada with the world's finest quality Bowl Choppers. Smooth operation, stainless construction, powerful motors and unsurpassed features make the Mainca Bowl Chopper line the most respected brand the world over. With sizes ranging from 14 liter to 75 liter, Mainca has the machine to fit virtually any operation. With outstanding standard features such as multiple blade configurations, two bowl speeds, two blade speeds and built-in thermometers, plus optional features (on our larger units) which include variable speed blades, reverse mixing rotation and automatic unloaders, the Mainca line of high performance choppers is the perfect choice for your processing facility. When it comes to quality, value and dependability Mainca USA is your first and best choice for all of your equipment needs ...

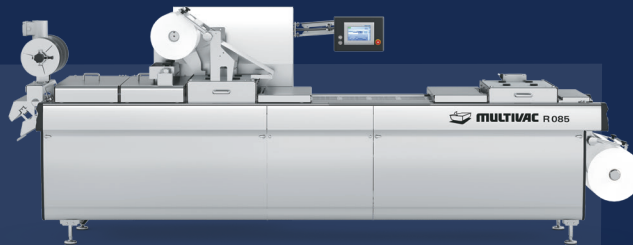


CM-41S (65 lb. capacity)



Visit our website to learn more

Thermoformers



Chamber Machines



Traysealers



MULTIVAC is a Proud Supporter of the

Montana Meat Processors Association

Need to reduce labor costs? Looking to reduce contamination and have better cleaning access? Need guaranteed reliable packaging that requires less maintenance?

Let MULTIVAC be your trusted solution provider in everything from entry level packaging and processing machines, to fully automated line solutions.

Contact Bill Craig

Regional Sales Manager - West
bill.craig@multivac.com | 986-205-1796



Contact Mark Snethen

Regional Sales Manager - East
mark.snethen@multivac.com | 913-553-7509

KERRES

FOOD
SYSTEMS

CLEANING
SYSTEMS



**KERRES
USA**

www.kerresusa.com

KERRES USA, LLC
140 Choate Circle
Montoursville PA 17754
(800) 752-7873
info@kerresusa.com

KERRES

K+G WEITER



schwa

INDUSTRIAL MACHINES FOR ARTISANAL FAMILY BUTCHERS

CUTTERS · GRINDERS · MIXER GRINDERS · MIXERS



kgwetter.de/en/hygienic-plus

**KERRES
USA**

www.kerresusa.com

KERRES USA, LLC
140 Choate Circle
Montoursville PA 17754
(800) 752-7873
info@kerresusa.com

KERRES

K+G WETTER

 **schwa**

upcoming

OPPORTUNITIES



AAMP
AMERICAN ASSOCIATION
OF
MEAT PROCESSORS

84TH
AMERICAN
CONVENTION
of MEAT PROCESSORS
and SUPPLIERS' EXHIBITION

Save
the
Date!

**July 13-15,
2023**

AAMP 84th American Convention Of Meat Processors & Suppliers' Exhibition

JULY 13-15, 2023

— Charleston, South Carolina —

The Charleston Area Convention Center

[LEARN MORE](#)



BUSTER-5 Carcass Splitting Bandsaw for Beef



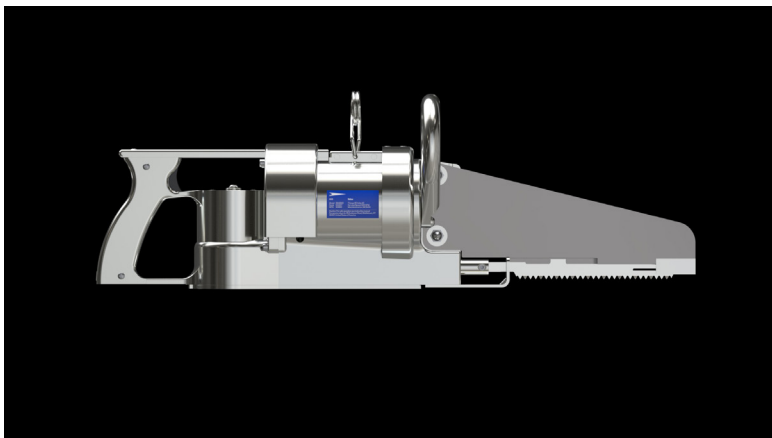
PAS Type P, Power Actuated Stunners



Wellsaw® 404-424 Reciprocating Breaking Saws



JC4A Hand-Held Dehider



Wellsaw® 444-464 Reciprocating Breaking Saws

proof.
MARKETING

MARKET

your

MEAT

GUARANTEED

Fresh

MARKETING

Branding · Websites · Ads · Social Media
proofmarketing.com